

## FEATURES

- High performance Linear Servo Amplifier controls DC brush motor torque or linear motor force
- Linear operating mode does not emit EMI, has high servo stiffness, and no dead zone
- Accepts analog command signals from a digital motion controller
- Operates with low inductance motors
- Current loop bandwidth and the transconductance, amps/volt scale factor, are adjustable
- Fault protection for amplifier over temperature, current overloads, and motor shorts
- Digital inputs for Enable/Reset, Brake, and  $\pm$  Travel Limits

## APPLICATIONS

- Linear stages, air bearings, and gantry systems
- Integrated circuit manufacturing and inspection
- High accuracy electronic assembly
- High accuracy measurement
- Laser Machining
- Voice coil motors
- Optics positioners
- DC torque motors



## PRODUCT DESCRIPTION

This size 3U EUROCARD provides closed loop four quadrant torque or force control of DC brush rotary servo, torque motors, linear motors, and voice coil motors.

Linear control of DC brush or linear motors is especially important for high performance position or velocity control systems. The pure DC form factor allows high current loop bandwidth.

The linear operating mode is highly advantageous for noise sensitive applications because it does not generate EMI. PWM switching noise is difficult to eliminate from sensitive sensors and transducers. This degrades velocity and position accuracy.

The controller employs two-stage current limiting. The first stage is a peak level with a time limit, then the second stage activates for a lower continuous current limit. A jumper selects the option of disabling the output when the continuous current limit is tripped. A trim potentiometer allows adjustment of the peak current up to the maximum value.

**GENERAL SPECIFICATIONS**

MODEL	6-420-048-01	6-714-048-01
PEAK OUTPUT POWER	400 watts <sup>1</sup>	700 watts <sup>1</sup>
PEAK OUTPUT CURRENT	10 amps <sup>1</sup> (1 sec typ.)	17 amps <sup>1</sup> (1 sec typ.)
CONT. OUTPUT CURRENT	Note 1	Note 1
MAX AMPLIFIER DISSIPATION	98 watts <sup>1</sup>	140 watts <sup>1</sup>
OUTPUT VOLTAGE @ CONT. OUTPUT CURRENT	22V with 28V nominal bus	42V with 48V nominal bus
INPUT POWER BUS <sup>3</sup>	24 to 56 VDC	24 to 56 VDC
INPUT ANALOG POWER SUPPLY <sup>4</sup>	±12 VDC (Note 4)	±12 VDC (Note 4)
POWER AMPLIFIER	Linear Mode Drive	
OPERATING TEMPERATURE	0 TO 50 Degrees C <sup>1</sup>	
CURRENT LOOP BANDWIDTH	Adjustable 0.5 to 4 KHZ typical	
LOGIC SUPPLY	5 VDC developed internally	
SIZE	100 W x 220 L x 44 H mm	
WEIGHT	.737 kg (26 oz)	

**OPERATING CONTROL SIGNALS and INDICATORS**

Input analog control signal	± 10 Volts differential
Peak current limit	Adjustable
Drive Enable/Reset	5V logic
Direction Logic	5V logic
(+) Travel Limit	5V logic
(-) Travel Limit	5V logic
Brake <sup>2</sup>	5V logic
Fault and/or Brake status	5V logic
Brake indicator	LED
Fault indicator	LED

### AUXILIARY OUTPUTS

Motor current monitor: Analog Signal

### FAULT PROTECTION CIRCUITS

Controller over temperature  
Over current

#### Notes:

1. Depends on ambient operating temperature, motor winding resistance, and heat sink airflow. For the rated maximum controller power dissipation, forced convection cooling with a minimum airflow of 100 CFM is required. Derate at 3 watts/degree C for ambient greater than 30 degrees C. Maximum controller dissipation occurs when the power out is minimum (motor stalled). It can be calculated as follows:

$$\begin{aligned}P_d &= P_{in} - P_{mtr} \\P_{in} &= (V_s)(I_o) \\P_{mtr} &= (I_o)^2(R_t)\end{aligned}$$

Where

$P_d$  is controller dissipation in watts  
 $P_{in}$  is input power  
 $P_{mtr}$  is motor dissipation in watts  
 $V_s$  is supply voltage  
 $I_o$  is output current in amps  
 $R_t$  is motor terminal-to-terminal resistance in ohms.

Consult factory for assistance.

The controller employs two stage current limiting. The first stage is a peak level with a time limit, then the second stage activates for a lower continuous current limit.

2. Actuating brake at high motor speeds may damage the controller or motor. Consult factory for details.

3. The user should protect the Amplifier and any external circuits from a catastrophic failure by fusing the input power connections to the amplifier. See Application Note Supplementary Fuse Protection (which can be viewed at [www.peakservo.com](http://www.peakservo.com)).

4. Externally supplied  $\pm 12$ VDC required.

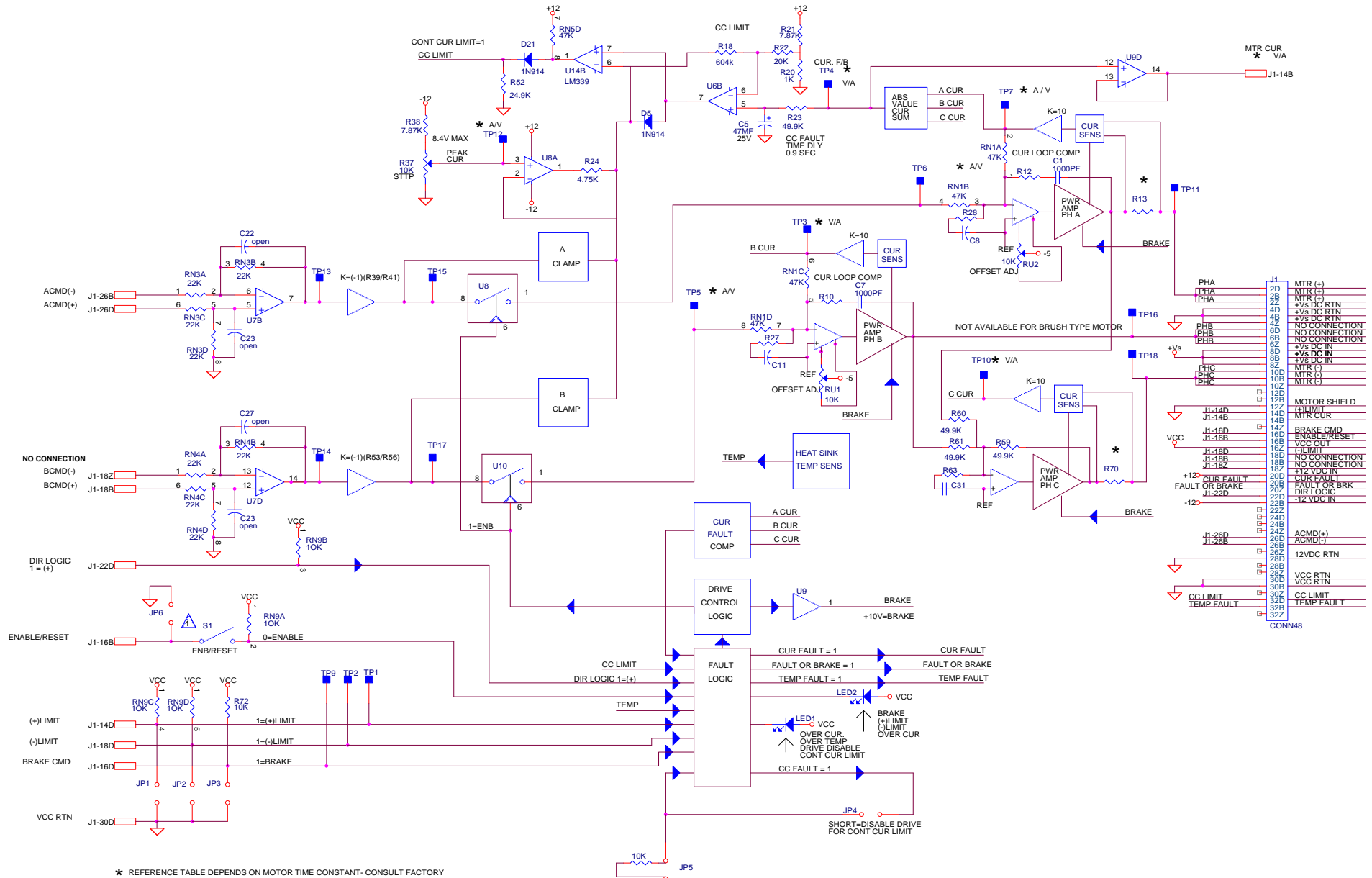
**EXTERNAL SIGNALS AND INTERCONNECTIONS**

EDGE CONNECTOR J1 IS A 48 POLE DIN 41612 SERIES F  
(REF EPT P/N 109-40064) or (FCI P/N 5159009486394111)

TERMINAL	SIGNAL NAME	DESCRIPTION
J1-2D, B, Z	MTR (+)	OUTPUT TO MOTOR (+) TERMINAL
J1-4D, B, Z	VDC POWER BUS RETURN	POWER SUPPLY RETURN
J1-6D, B, Z	NC	NO CONNECTION
J1-8D, B, Z	VDC POWER BUS IN	POWER SUPPLY INPUT, <9>
J1-10D, B, Z	MTR (-)	OUTPUT TO MOTOR (-) TERMINAL
J1-12D	NC	NO CONNECTION
J1-12B	NC	NO CONNECTION
J1-12Z	MTR SHIELD	MOTOR SHIELD GND
J1-14D	(+) LIMIT	LOGIC 1= (+) LIMIT, <1>, <3>
J1-14B	MTR CUR	MOTOR CURRENT MONITOR, SF=SEE FUNC DIAG
J1-14Z	NC	NO CONNECTION
J1-16D	BRAKE CMD	LOGIC 1= BRAKE, <1>, <5>, <8>
J1-16B	ENABLE/RESET	LOGIC 0=ENABLE, <1>, <2>
J1-16Z	Vcc OUT	5VDC OUT
J1-18D	(-) LIMIT	LOGIC 1= (-) LIMIT, <1>, <4>
J1-18B	NC	NO CONNECTION
J1-18Z	NC	NO CONNECTION
J1-20D	+12VDC IN	12 V POWER SUPPLY INPUT
J1-20B	CURRENT FAULT OUT	LOGIC 1= CUR FAULT, <7>
J1-20Z	FAULT &/OR BRAKE OUT	LOGIC 1= FAULT AND, OR BRAKE ON <7>
J1-22D	DIR LOGIC	INPUT FROM MOTION CONTROLLER, LOGIC 1=(+) DIRECTION <sup>1</sup>
J1-22B	(-) 12VDC IN	(-) 12 V POWER SUPPLY INPUT
J1-22Z	NC	NO CONNECTION
J1-24D	NC	NO CONNECTION
J1-24B	NC	NO CONNECTION
J1-24Z	NC	NO CONNECTION
J1-26D	A COMMAND (+)	DIFFERENTIAL ANALOG $\pm$ 10V A INPUT COMMAND, <6>
J1-26B	A COMMAND (-)	DIFFERENTIAL ANALOG $\pm$ 10V A INPUT COMMAND, <6>
J1-26Z	NC	NO CONNECTION
J1-28D	$\pm$ 12V RTN	$\pm$ 12V POWER SUPPLY RETURN
J1-28B	NC	NO CONNECTION
J1-28Z	NC	NO CONNECTION
J1-30D	Vcc RTN OUT	5VDC RTN OUT
J1-30B	Vcc RTN OUT	5VDC RTN OUT
J1-30Z	NC	NO CONNECTION
J1-32D	CONT CUR FAULT	CONTINUOUS CURRENT FAULT, LOGIC 1=CC FAULT <7>
J1-32B	TEMPERATURE FAULT	LOGIC 1=TEMPERATURE FAULT <7>
J1-32Z	NC	NO CONNECTION

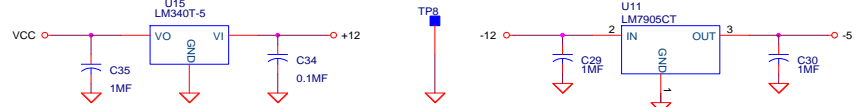
NOTES:

- <1> INTERNAL 10K PULL-UP RESISTOR TO 5VDC.
- <2> SWITCH S1 ON PCB IS IN SERIES WITH THIS LOGIC INPUT CMD. INSTALLATION OF JUMPER JP6 WILL DISABLE THE EXTERNAL CMD.
- <3> (+) LIMIT IS THE TRAVEL LIMIT THE MOTOR WILL DRIVE TOWARD WHEN THE DIRECTION SIGNAL IS A LOGIC 1. INSTALLATION OF JUMPER JP1 WILL DISABLE THIS FEATURE.
- <4> (-) LIMIT IS THE TRAVEL LIMIT THE MOTOR WILL DRIVE TOWARD WHEN THE DIRECTION SIGNAL IS A LOGIC 0. INSTALLATION OF JUMPER JP2 WILL DISABLE THIS FEATURE.
- <5> WHEN ACTIVE, THE MOTOR WINDINGS ARE SHORTED TOGETHER. IF THE BRAKE FEATURE IS NOT REQUIRED, INSTALL JUMPER JP3. CAUTION: BRAKE CMD AT HIGH SPEED MAY DAMAGE MOTOR AND/OR CONTROLLER. CONSULT FACTORY FOR ASSISTANCE.
- <6> COMMAND POLARITY DETERMINES DIRECTION OF ROTATION, SIGNAL AND SIGNAL RETURN CAN BE EXCHANGED. SEE <3>, <4>.
- <7> OUTPUT FROM CMOS PLD.
- <8> WE RECOMMEND THAT THE BRAKE CMD BE APPLIED FOR "POWER UP" AND THEN REMOVED FOR NORMAL OPERATION.
- <9> SEE APPLICATION NOTE SUPPLEMENTARY FUSE PROTECTION.



\* REFERENCE TABLE DEPENDS ON MOTOR TIME CONSTANT- CONSULT FACTORY

Model	TP5, 6, 12	TP3, 4, 7, 10, J1-14B	CC LIMIT	R12	R13, 70
5-420-048-01	1 A/V	1 A/V	3V	1M	0.1R,1%,5W
5-714-048-01	2 A/V	2 A/V	1.5V	1M	.05R,1%,5W
6-420-048-01	1 A/V	1 A/V	3V	1M	0.1R,1%,5W
6-714-048-01	2 A/V	2 A/V	1.5V	1M	.05R,1%,5W

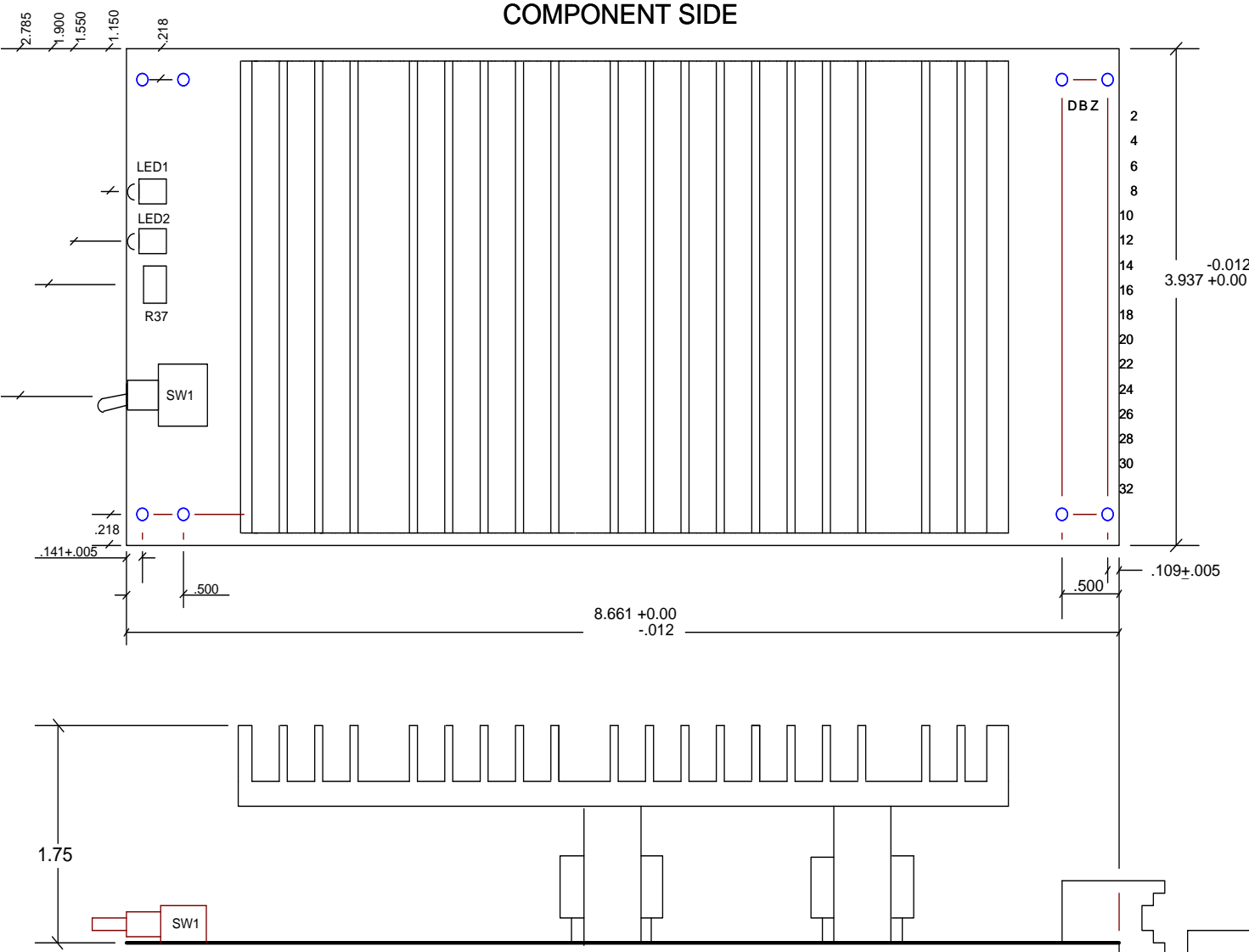


ELTROL CORPORATION CARLSBAD, CA	
Title	FUNCTIONAL DIAGRAM 52 SERIES AMPLIFIER
Size	Document Number
C	3900052 DC.FNC
Date:	Wednesday, January 16, 2008 Sheet 1 of 1

NOTES: ENB WHEN SW1 BAT IS TOWARDS BOARD CENTER

# EUROCARD SERIES 52 LINEAR DC SERVO AMPLIFIER

## MOUNTING DIMENSIONS



- NOTES: 1. ALL DIMENSIONS SPECIFIED IN INCHES  
 2. ALL TOLERANCES ARE: +.002 UNLESS OTHERWISE SPECIFIED  
 3. DO NOT SCALE

0.420

ELTROL CORPORATION CARLSBAD, CA		
Title SERIES 52 DATA SHEET OUTLINE		
Size B	Document Number 3900052 OUTLINE.SCH	Rev
Date: Tuesday, August 14, 2001    Sheet 1 of 1		